

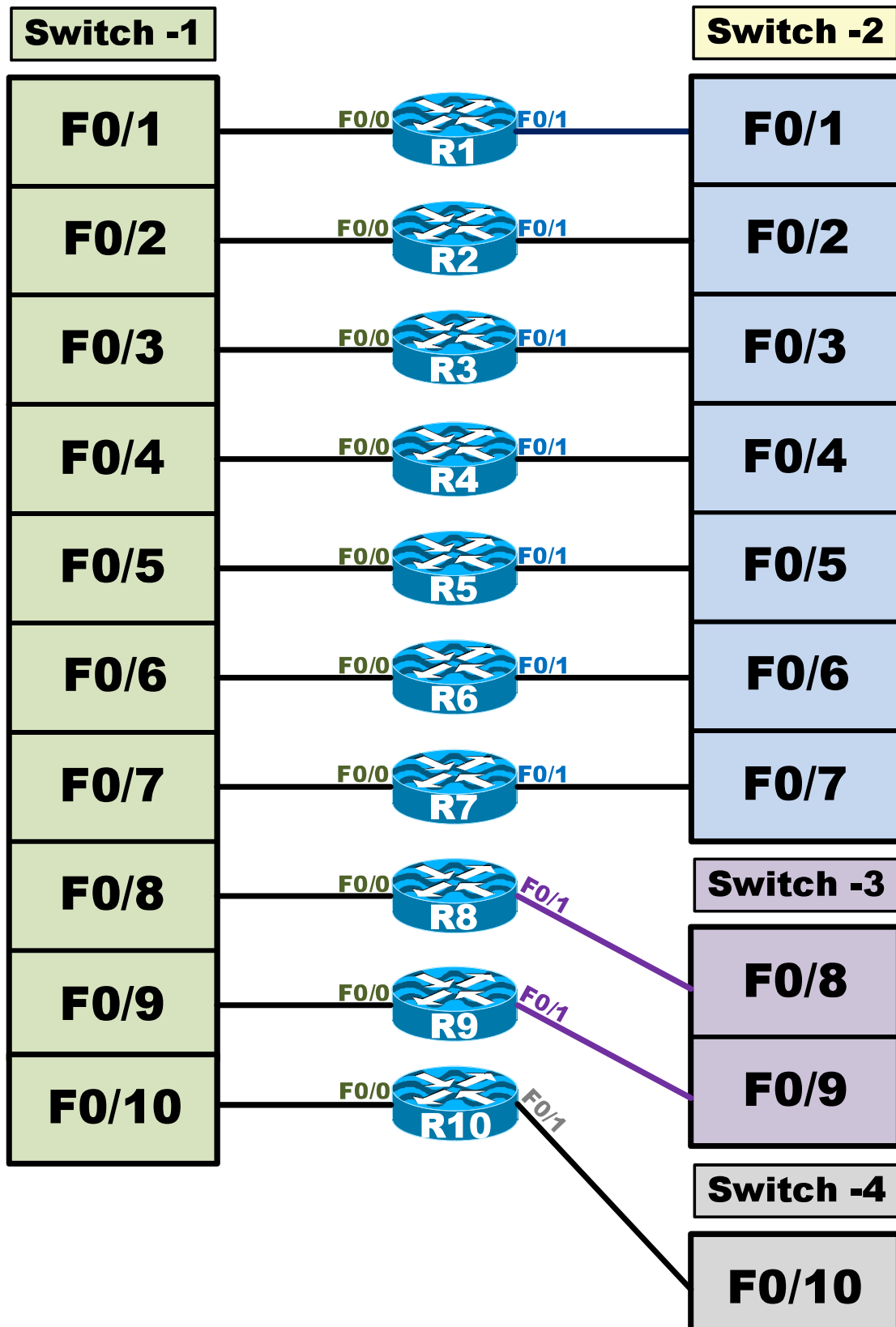
Advanced Troubleshooting CCIE Routing & Switching v5.0

www.MicronicsTraining.com

**Narbik Kocharians
CCSI, CCIE #12410
R&S, Security, SP**

Table of content

Subject	Page
Topology	3
Switching	
Lab 1 Troubleshooting Switching Scenario #1	--
Lab 2 Troubleshooting Switching Scenario #2	8
RIPv2	
Lab 1 TS RIPv2 Scenario #1	10
EIGRP	
Lab 1 TS EIGRP Scenario #1	12
OSPF	
Lab 1 TS OSPF Scenario #1	14
BGP	
Lab 1 TS BGP Scenario #1	16
MPLS	
Lab 1 TS MPLS Scenario #1	18
Lab 2 TS MPLS Scenario #2	19
Troubleshooting Mock Labs	
Lab 1 TS-Mock-Lab-1	21
Lab 2 TS-Mock-Lab-2	25
Lab 3 TS-Mock-Lab-3	29
Lab 4 TS-Mock-Lab-4	32
Lab 5 TS-Mock-Lab-5	34

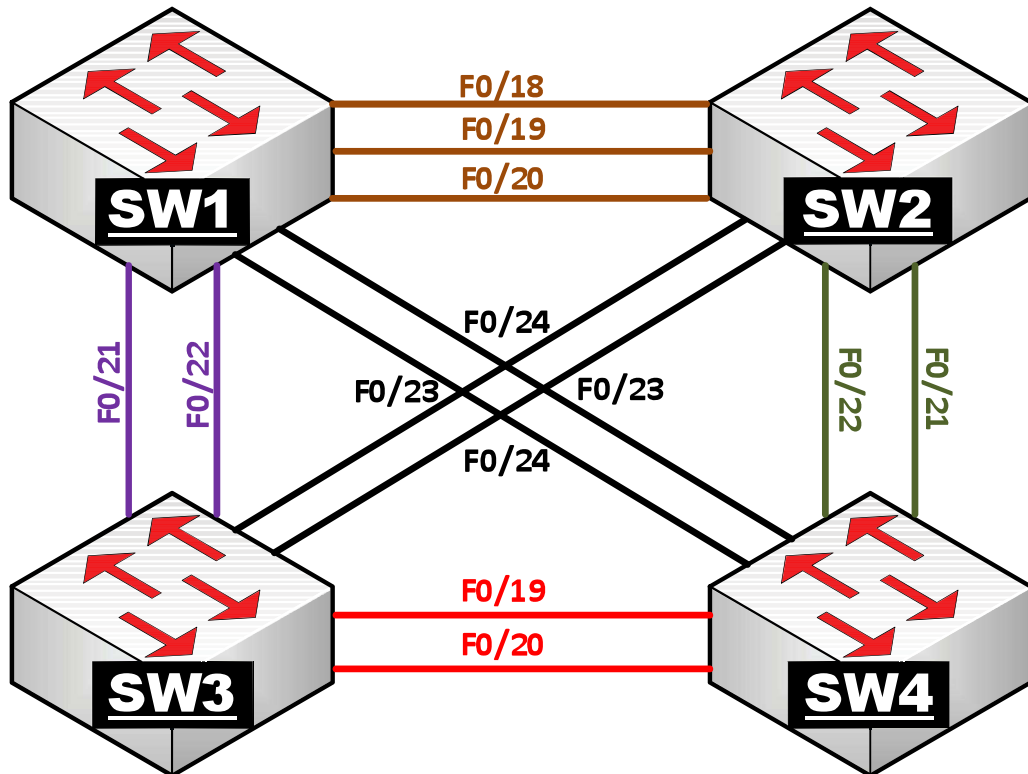


Serial connections:

Router	Interface	Router	Interface
R1	S1/2	R2	S1/1
R1	S1/3	R3	S1/1
R1	S1/4	R4	S1/1
R1	S1/5	R5	S1/1
R1	S1/6	R6	S1/1
R2	S1/1	R1	S1/2
R2	S1/3	R3	S1/2
R2	S1/4	R4	S1/2
R2	S1/5	R5	S1/2
R2	S1/6	R6	S1/2
R3	S1/1	R1	S1/3
R3	S1/2	R2	S1/3
R3	S1/4	R4	S1/3
R3	S1/5	R5	S1/3
R3	S1/6	R6	S1/3
R4	S1/1	R1	S1/4
R4	S1/2	R2	S1/4
R4	S1/3	R3	S1/4
R4	S1/5	R5	S1/4
R4	S1/6	R6	S1/4
R5	S1/1	R1	S1/5
R5	S1/2	R2	S1/5
R5	S1/3	R3	S1/5
R5	S1/4	R4	S1/5
R5	S1/6	R6	S1/5
R6	S1/1	R1	S1/6
R6	S1/2	R2	S1/6
R6	S1/3	R3	S1/6
R6	S1/4	R4	S1/6
R6	S1/5	R5	S1/6

R9	S0/0/0	R10	S0/0/0
R9	S0/1/0	R10	S0/1/0
R10	S0/0/0	R9	S0/0/0
R10	S0/1/0	R9	S0/1/0

Switch to Switch connections



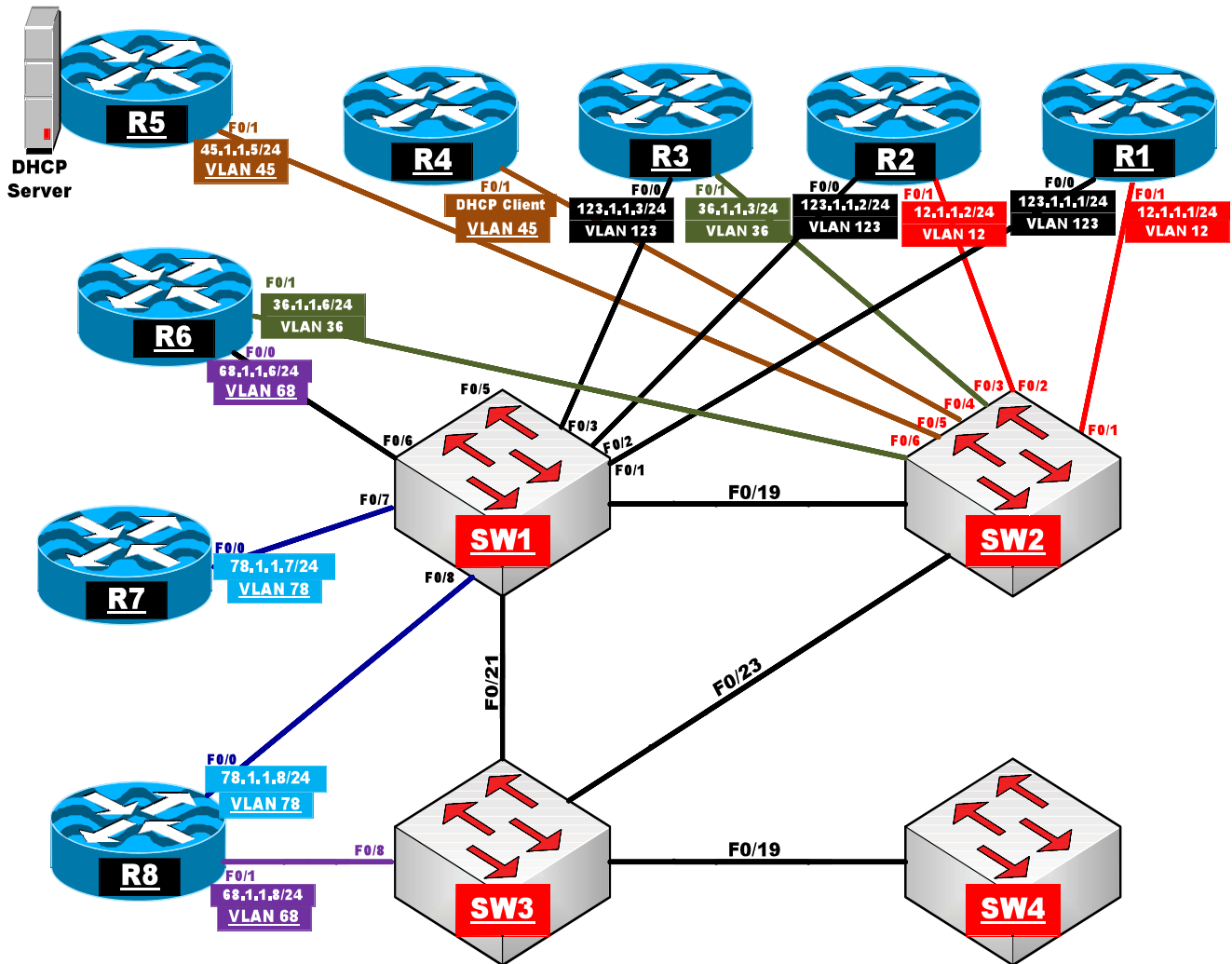
Advanced Troubleshooting CCIE Routing & Switching v5.0

www.MicronicsTraining.com

**Narbik Kocharians
CCSI, CCIE #12410
R&S, Security, SP**

Switching

Troubleshooting Switching Scenario 2



Lab Setup:

To copy and paste the initial configurations, go to “CCIE-TS-Initial-configurations” folder → “Switching” → “TS-Switching-Initial-Lab-2”.

Advanced Troubleshooting CCIE Routing & Switching v5.0

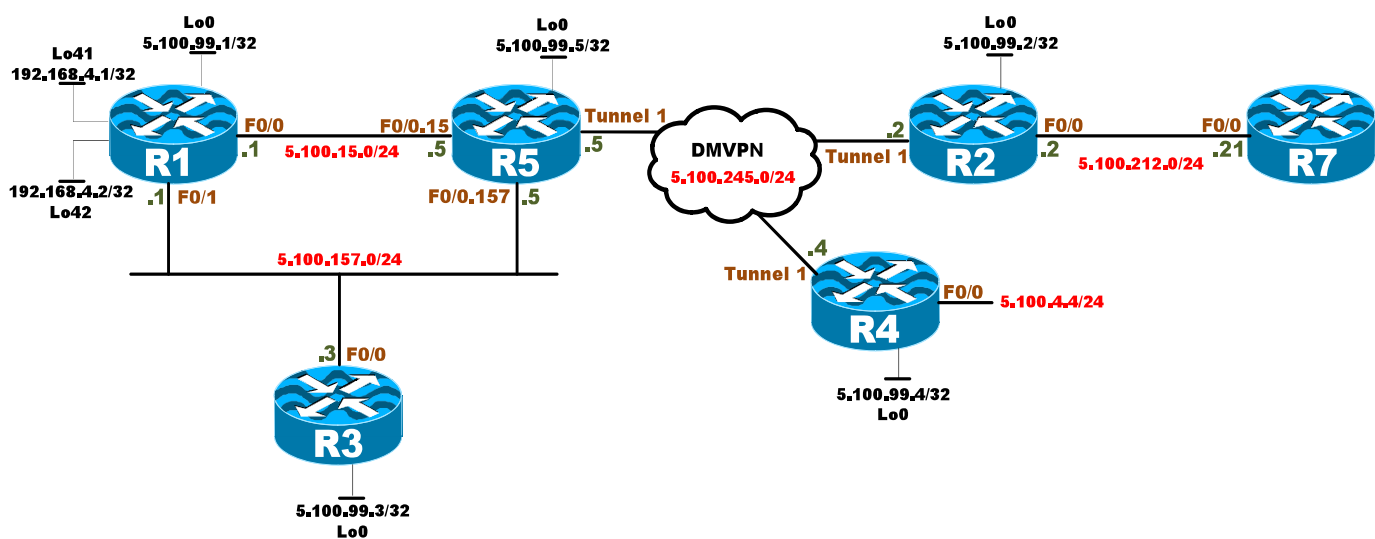
www.MicronicsTraining.com

**Narbik Kocharians
CCSI, CCIE #12410
R&S, Security, SP**

RIPv2

Lab 1

Troubleshooting RIPv2 Scenario - I



Lab Setup:

To copy and paste the initial configurations, go to “CCIE-TS-Initial-configurations” folder → “RIPv2” → ”TS-RIPv2-Lab-1”.

Advanced Troubleshooting CCIE Routing & Switching v5.0

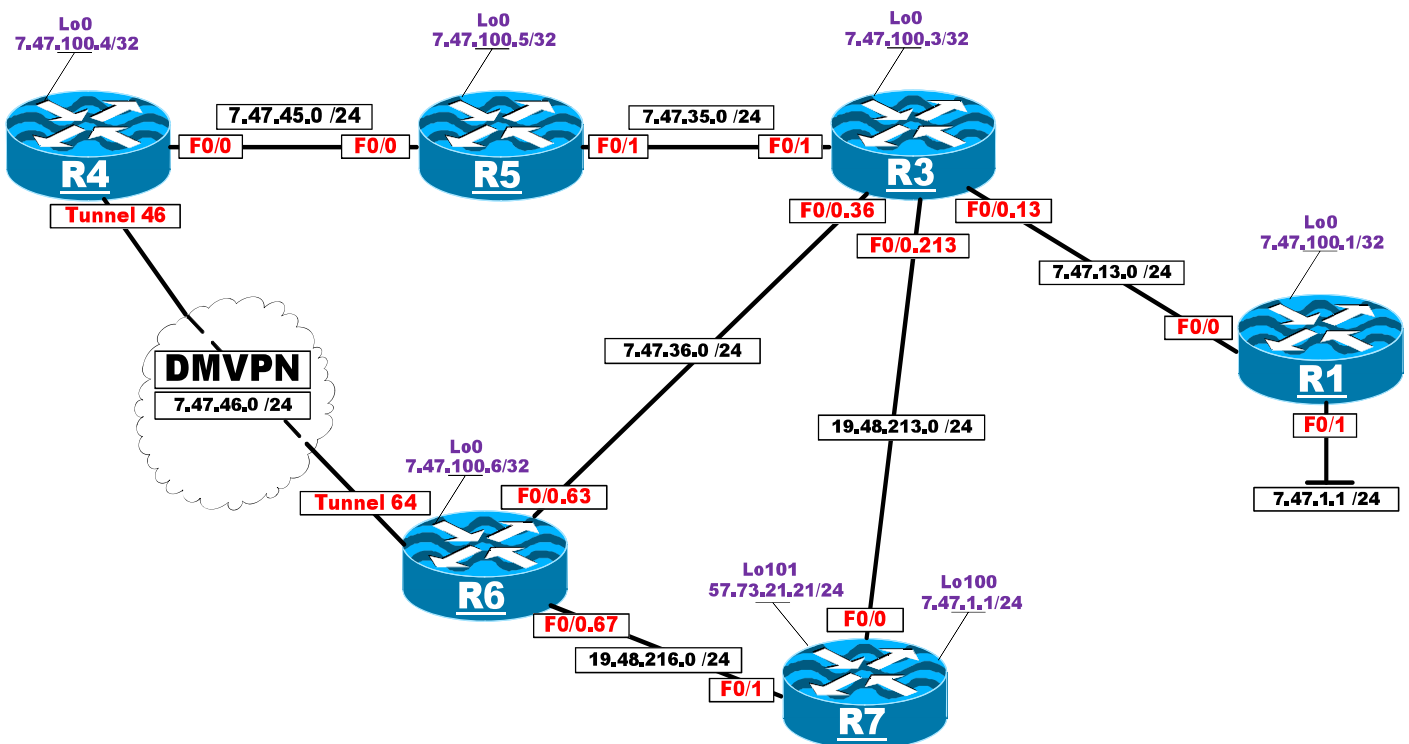
www.MicronicsTraining.com

**Narbik Kocharians
CCSI, CCIE #12410
R&S, Security, SP**

EIGRP

Lab 1

Troubleshooting EIGRP Scenario - I



Lab Setup:

To copy and paste the initial configurations, go to “CCIE-TS-Initial-configurations” folder → “EIGRP” → “TS-EIGRP-TS-Lab-1”.

Advanced Troubleshooting CCIE Routing & Switching v5.0

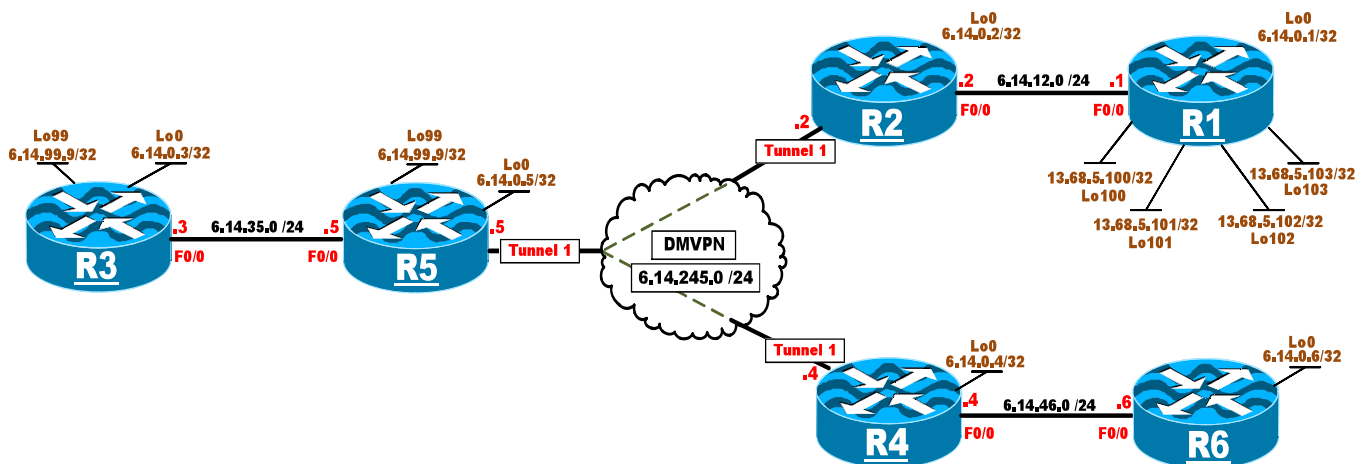
www.MicronicsTraining.com

**Narbik Kocharians
CCSI, CCIE #12410
R&S, Security, SP**

OSPF

Lab 1

Troubleshooting OSPF Scenario - I



Lab Setup:

To copy and paste the initial configurations, go to “CCIE-TS-Initial-configurations” folder → “OSPF” → “TS-OSPF-initial-Lab-1”.

Advanced Troubleshooting CCIE Routing & Switching v5.0

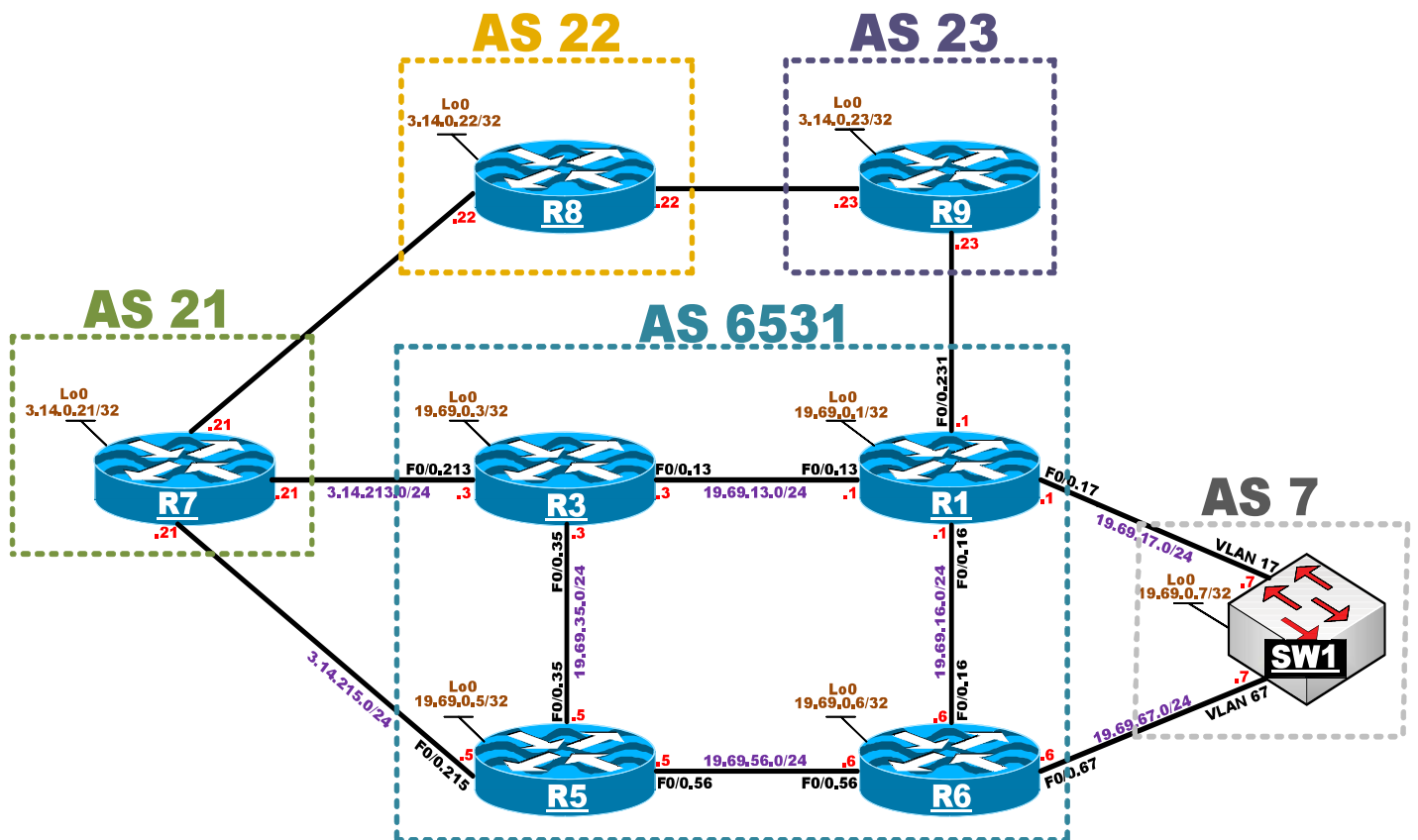
www.MicronicsTraining.com

**Narbik Kocharians
CCSI, CCIE #12410
R&S, Security, SP**

BGP

Lab 1

Troubleshooting BGP Scenario - I



Lab Setup:

To copy and paste the initial configurations, go to “CCIE-TS-Initial-configurations” folder → “BGP” → “TS-BGP-Initial-Lab-1”.

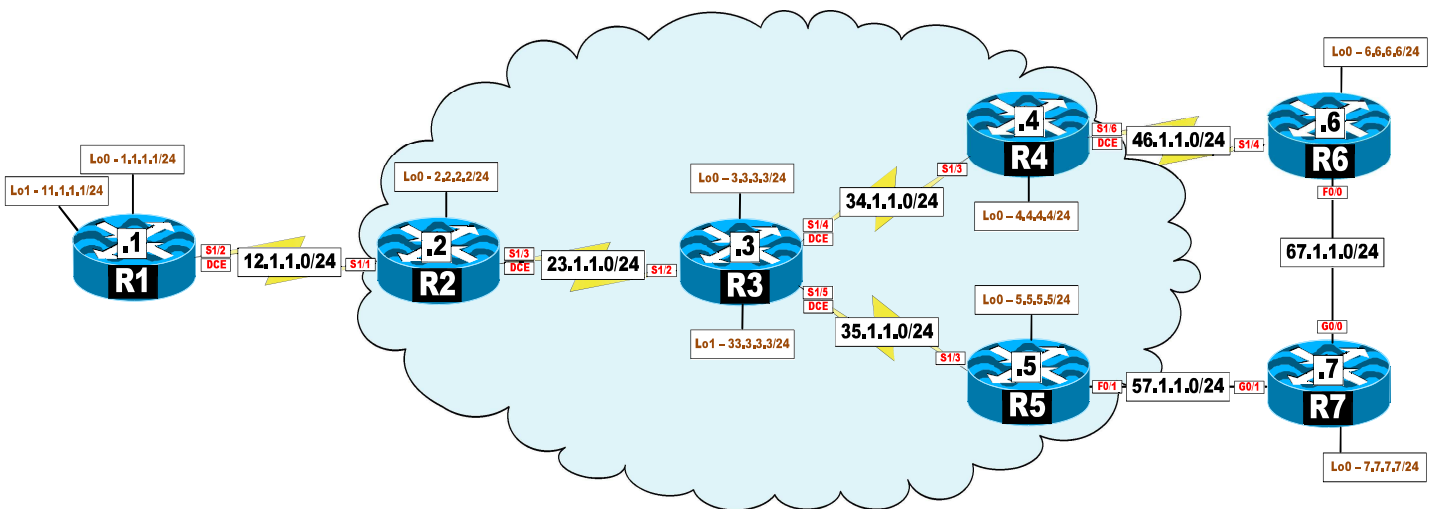
Advanced Troubleshooting CCIE Routing & Switching v5.0

www.MicronicsTraining.com

**Narbik Kocharians
CCSI, CCIE #12410
R&S, Security, SP**

MPLS

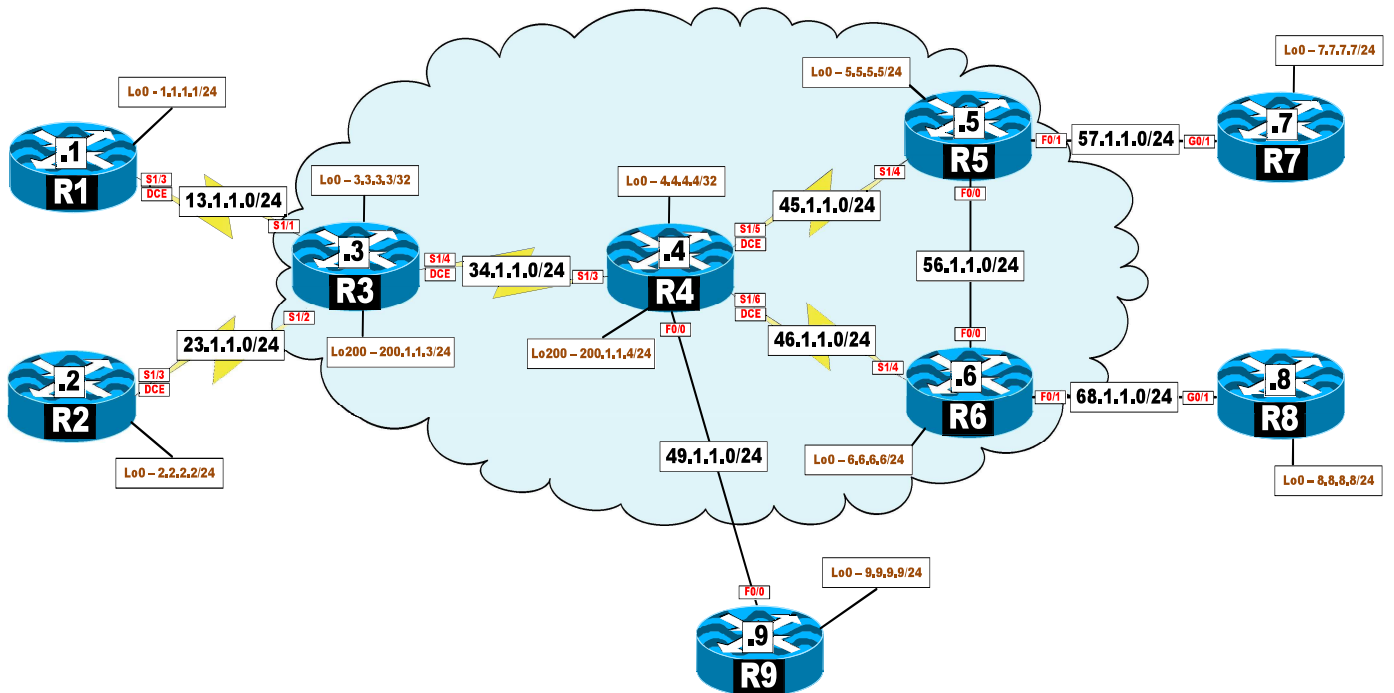
Troubleshooting MPLS Scenario - I



Lab Setup:

To copy and paste the initial configurations, go to “CCIE-TS-Initial-configurations” folder → “MPLS” → “MPLS-TS-Lab-1”.

Troubleshooting MPLS Scenario - 2



Lab Setup:

To copy and paste the initial configurations, go to “CCIE-TS-Initial-configurations” folder → “MPLS” → “MPLS-TS-Lab-2”.

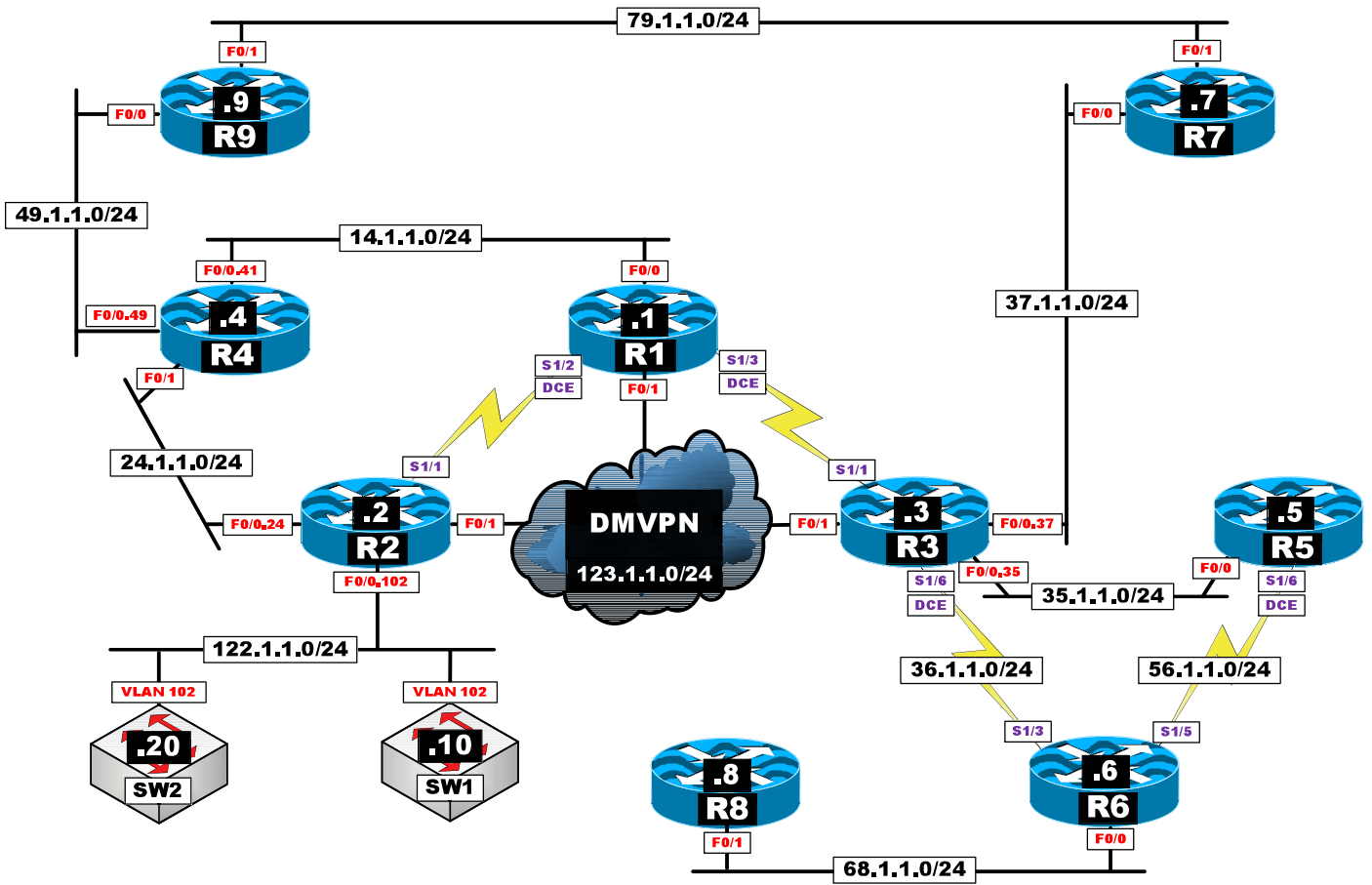
Advanced Troubleshooting CCIE Routing & Switching v5.0

www.MicronicsTraining.com

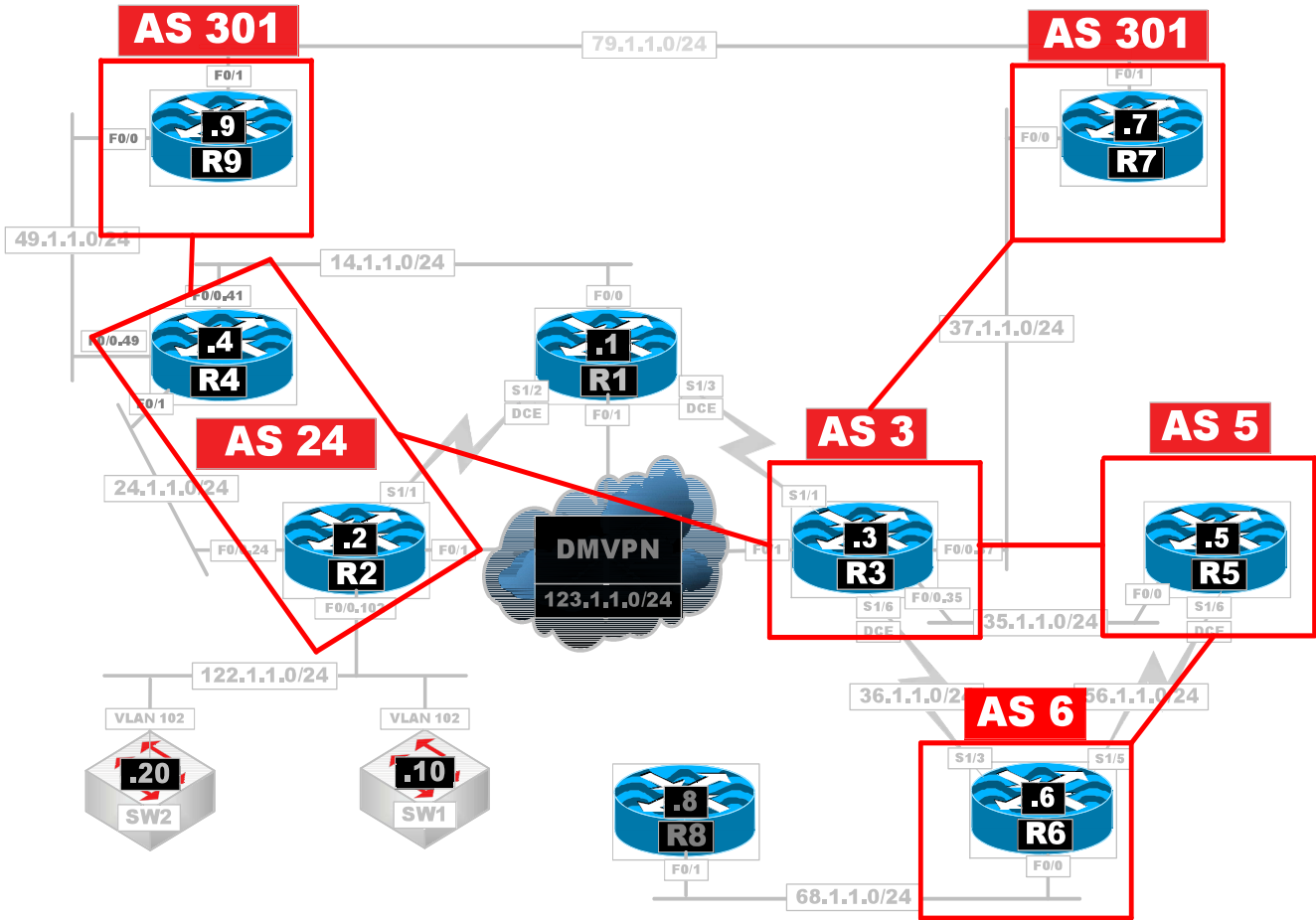
**Narbik Kocharians
CCSI, CCIE #12410
R&S, Security, SP**

TS-Mock-Lab-1

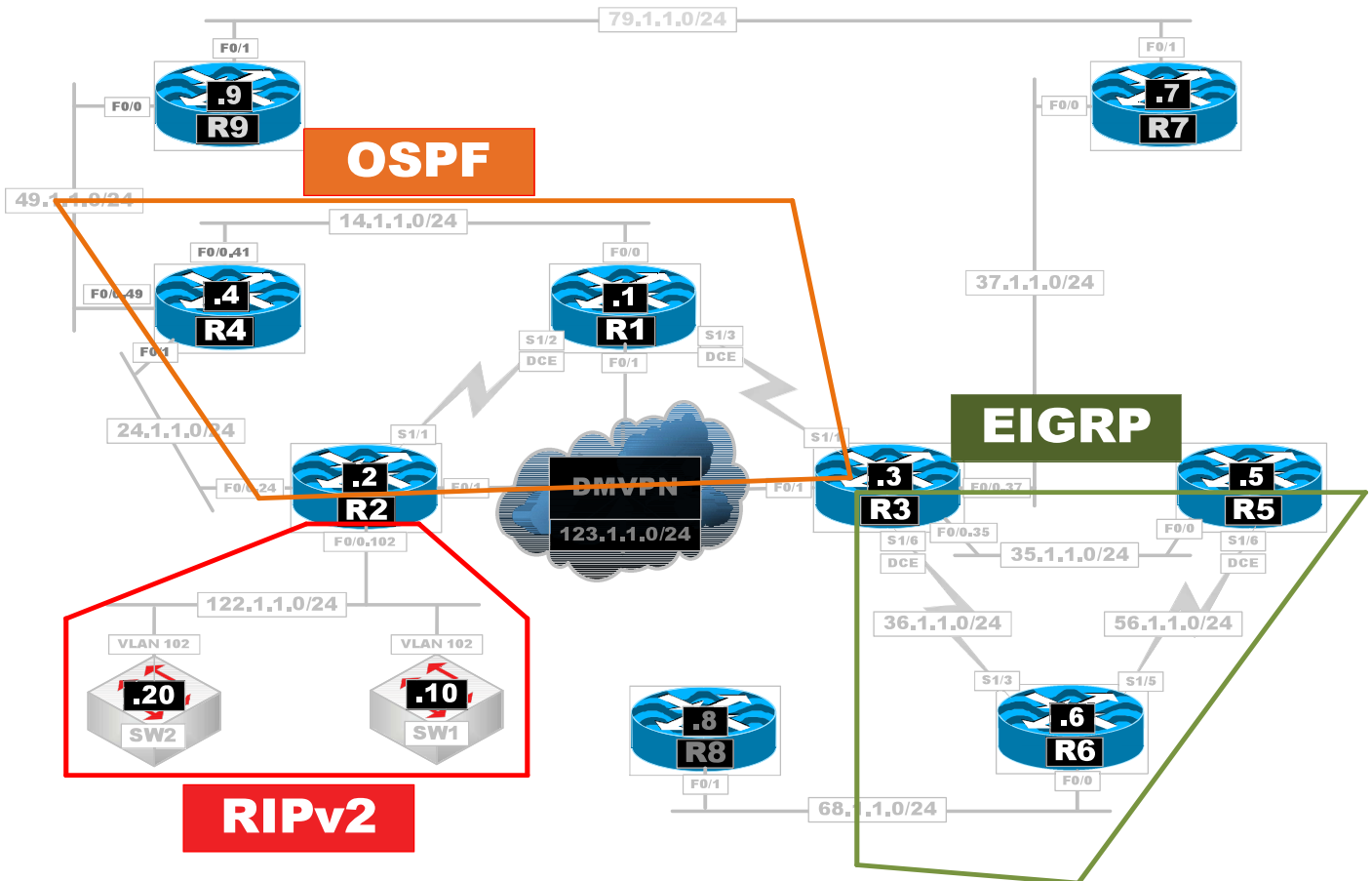
IPv4 Topology



BGP Topology



IGP Topology



Lab Setup:

To copy and paste the initial configurations, go to “CCIE-TS-Initial-configurations” folder → “TS-Mock-Labs” → “TS-Mock-Lab-1”.

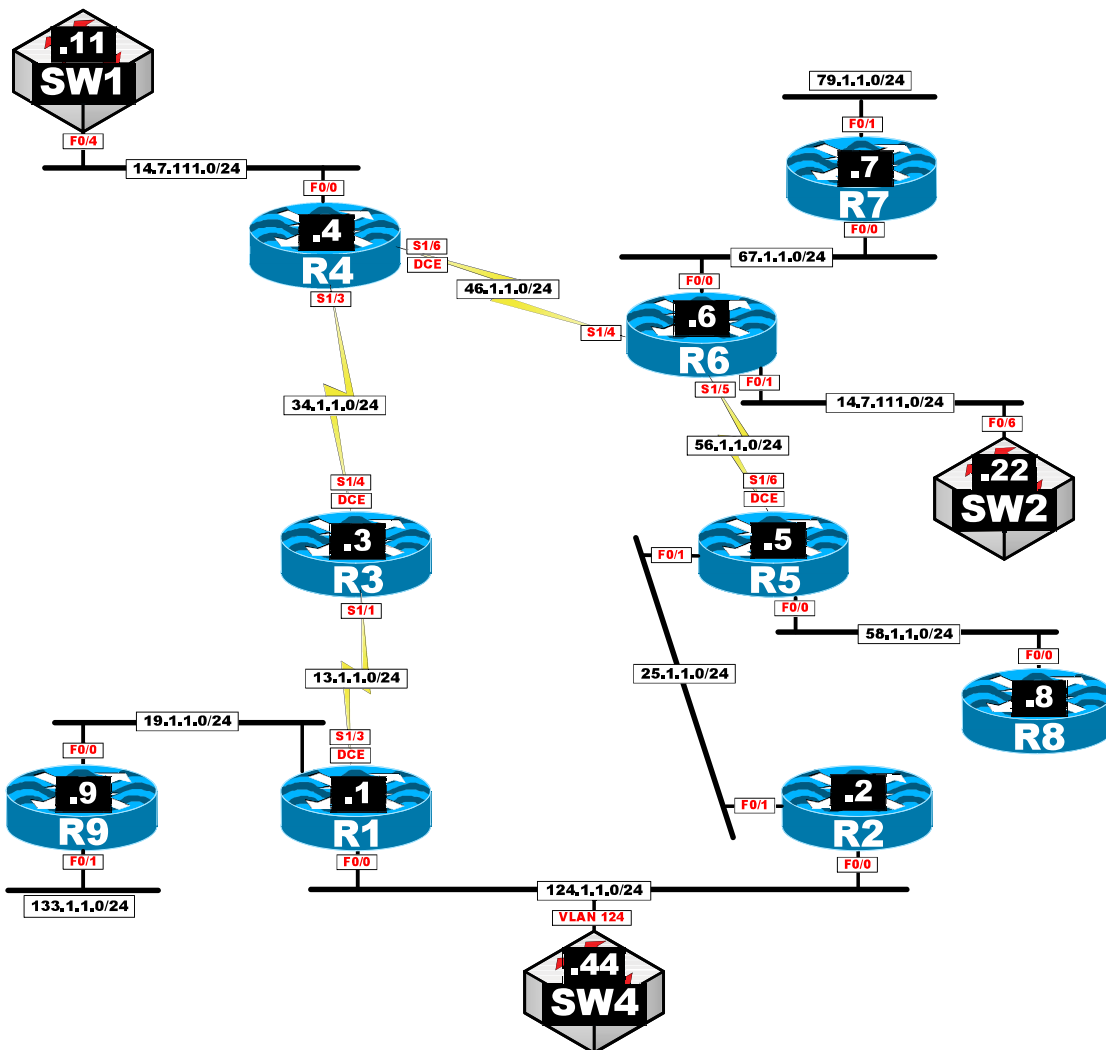
Advanced Troubleshooting CCIE Routing & Switching v5.0

www.MicronicsTraining.com

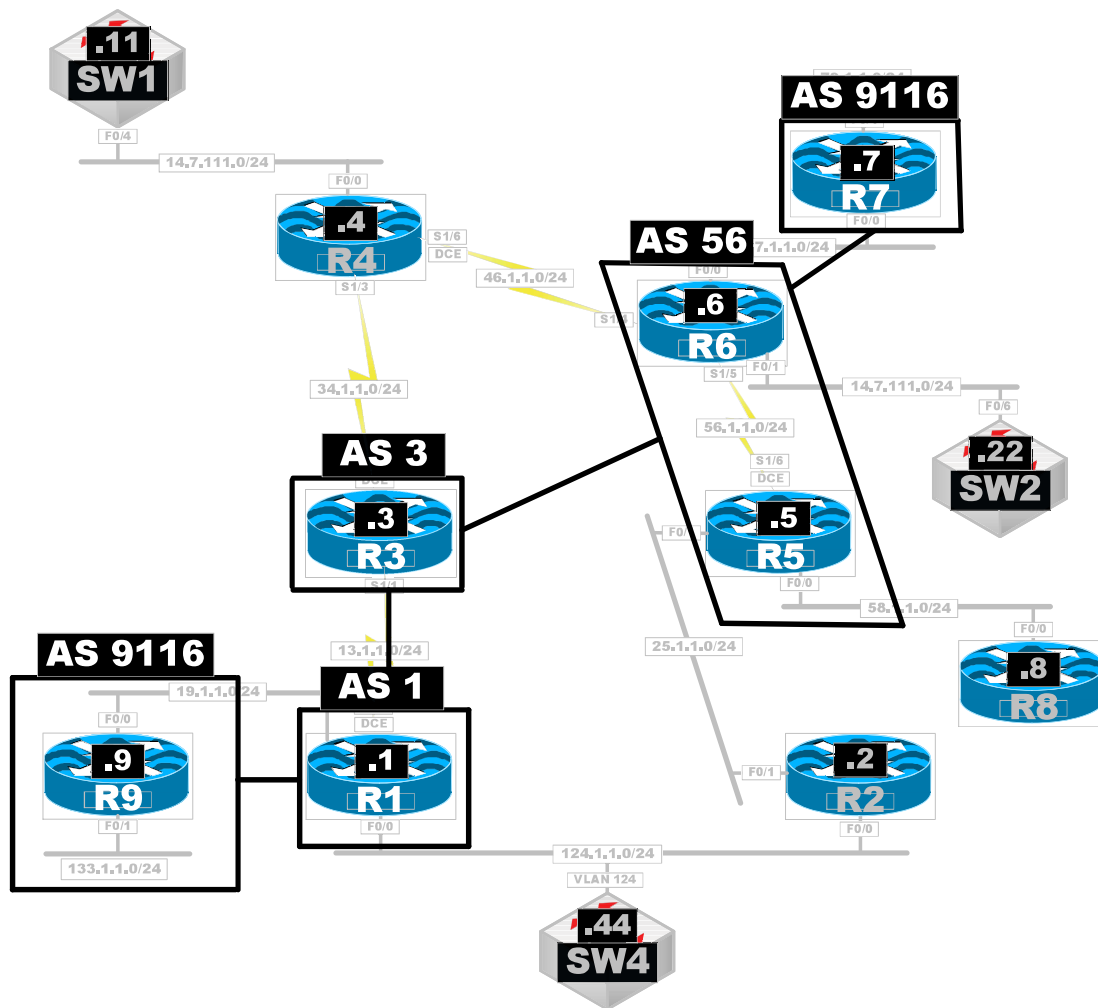
**Narbik Kocharians
CCSI, CCIE #12410
R&S, Security, SP**

TS-Mock-Lab-2

IPv4 Topology



BGP Topology



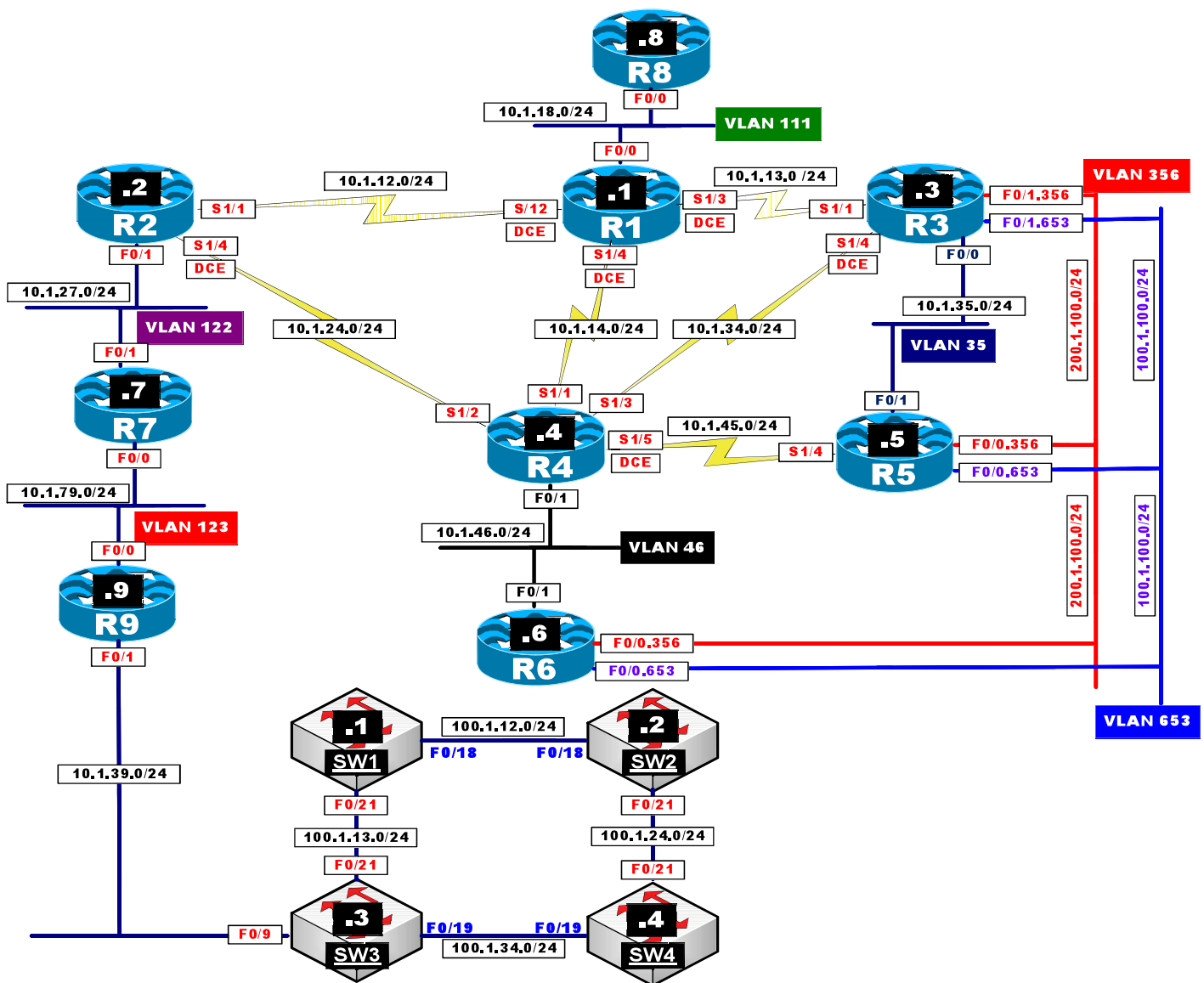
Advanced Troubleshooting CCIE Routing & Switching v5.0

www.MicronicsTraining.com

**Narbik Kocharians
CCSI, CCIE #12410
R&S, Security, SP**

TS-Mock-Lab-3

IPv4 Topology



Save the running configuration of SW3 and reload the switch before proceeding.

Lab Setup:

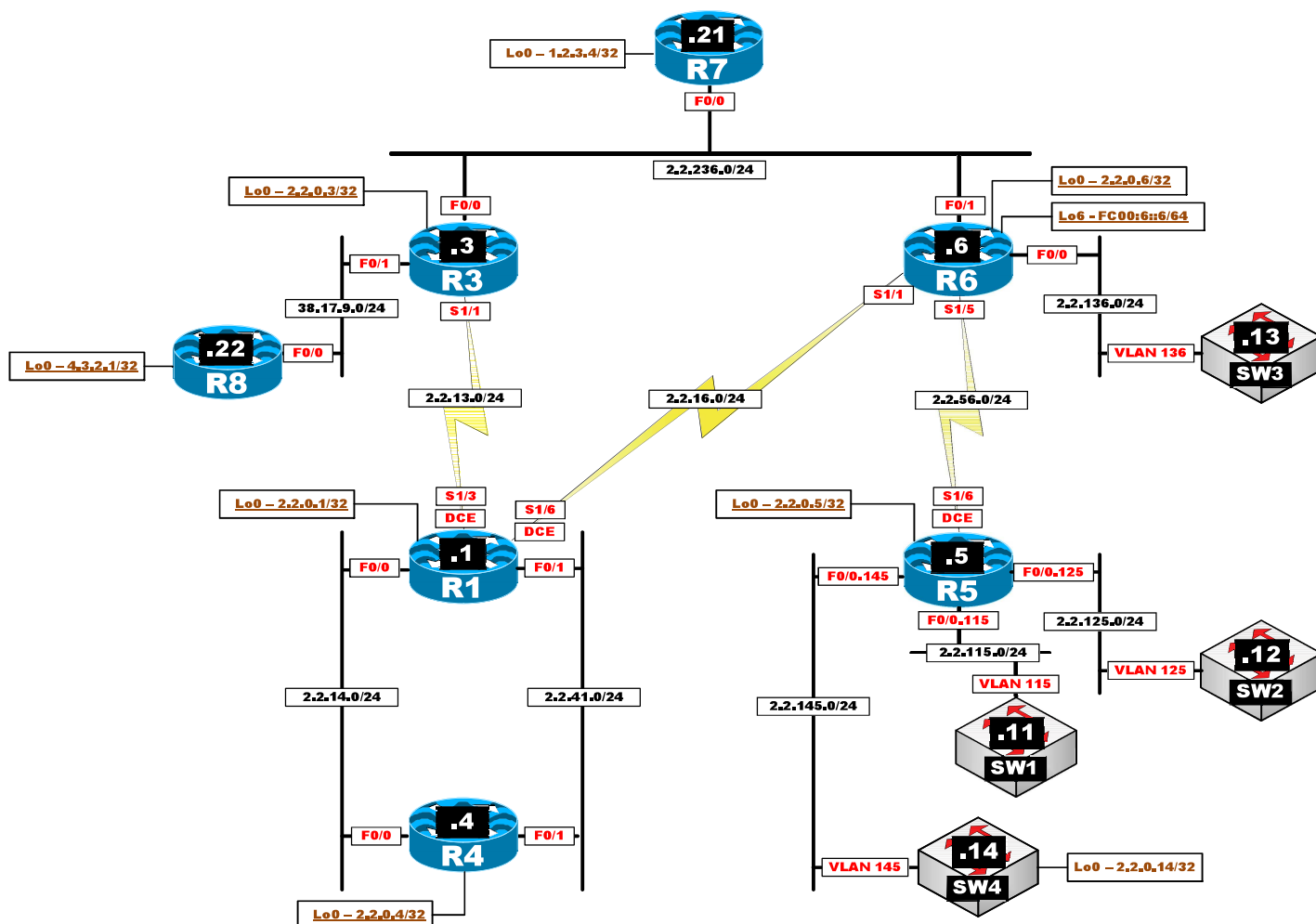
To copy and paste the initial configurations, go to “CCIE-TS-Initial-configurations” folder → “TS-Mock-Labs” →”TS-Mock-Lab-3”.

Advanced Troubleshooting CCIE Routing & Switching v5.0

www.MicronicsTraining.com

**Narbik Kocharians
CCSI, CCIE #12410
R&S, Security, SP**

TS-Mock-Lab-4



Lab Setup:

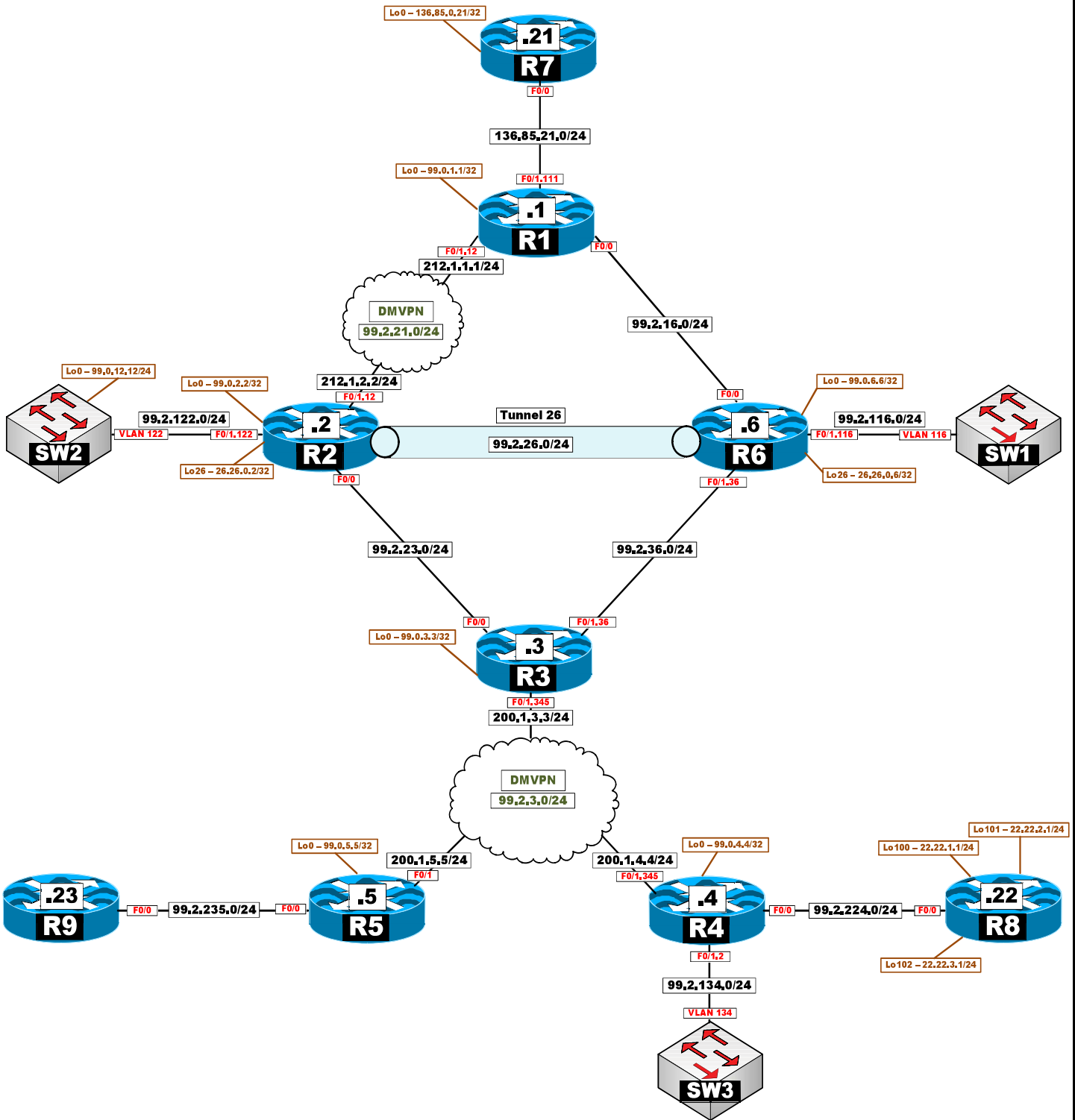
To copy and paste the initial configurations, go to “CCIE-TS-Initial-configurations” folder → “TS-Mock-Labs” → ”TS-Mock-Lab-4”.

Advanced Troubleshooting CCIE Routing & Switching v5.0

www.MicronicsTraining.com

**Narbik Kocharians
CCSI, CCIE #12410
R&S, Security, SP**

TS-Mock-Lab-5



Lab Setup:

To copy and paste the initial configurations, go to “CCIE-TS-Initial-configurations” folder → “TS-Mock-Labs” →”TS-Mock-Lab-5”.